

ZBin 5000 L

Technical specifications

Technical data

Part	Material	Weight
Container	Polyethylene	130 kg
Double lid	Polyethylene	30 kg
Filling lid	Polyethylene	6 kg
Lifting bag	Polypropylene	6 kg
Metal rings	Aluminium	26 kg
Total		198 kg

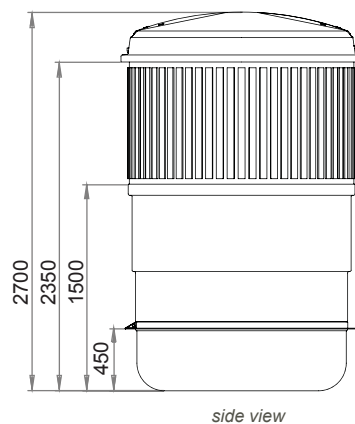
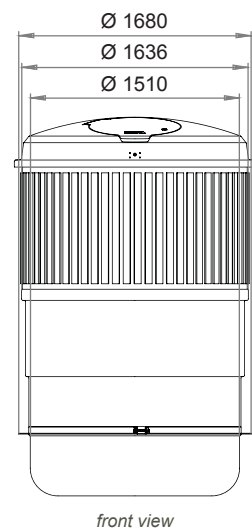
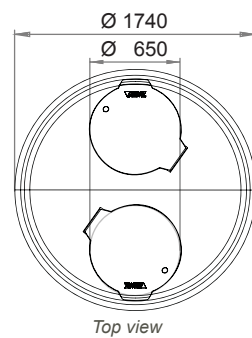
Fill volume	5.000 Liter
Access opening	max Ø600mm



Options

- Locking:** filling lid, large lid
- Framing:** wood, composit, aluminium, print
- Hinge:** hinge with gas spring for large lid

Dimensions



Placement

